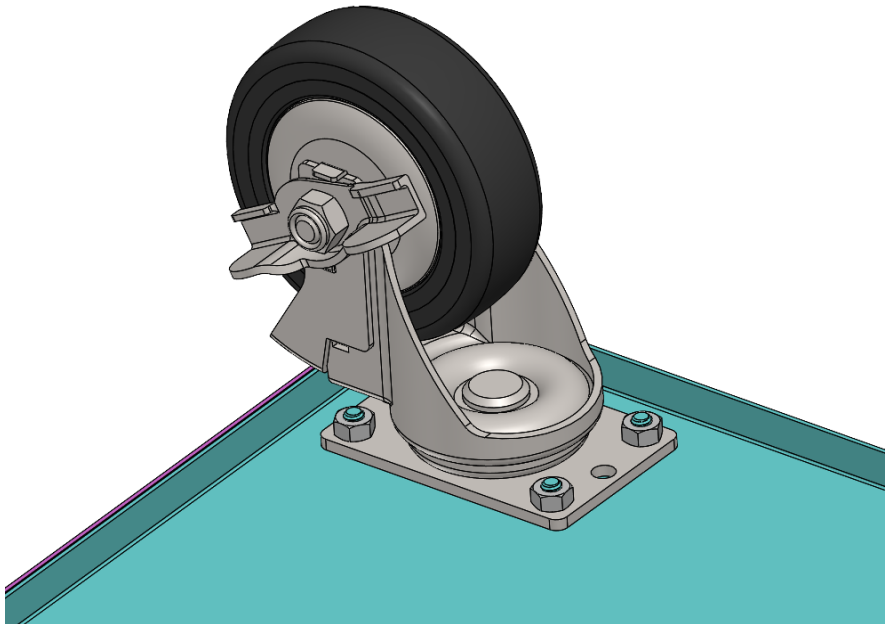


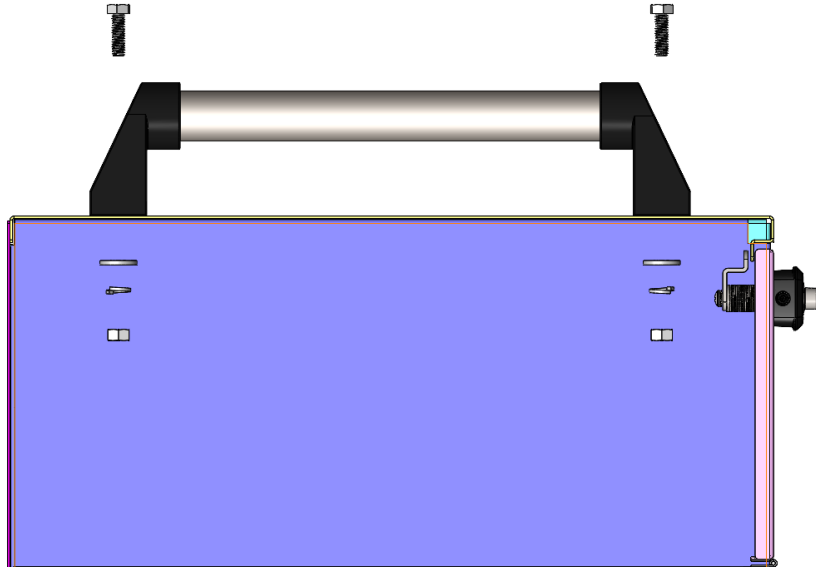
Book Valet Caster and Handle Installation Guide for All Current Models

Caster Installation



1. Flip the Book Valet so the caster studs are facing up.
2. Place the caster wheel over the studs.
3. Screw nuts into place until tight.
4. Continue to the remaining three corners.

Handle Installation



Note: The top panel is hidden in the above view to enhance clarity of installation.

1. Place the bolt through the tube handle supports into the book valet.
2. Put the large washer over the bolt, followed by the split washer, and hand tighten the nut. Do this for both ends of the handle.
3. Once both ends are hand tight, tighten all the way with a handle tool.