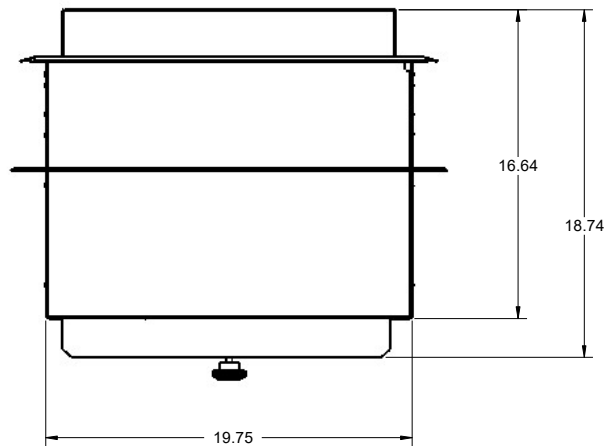
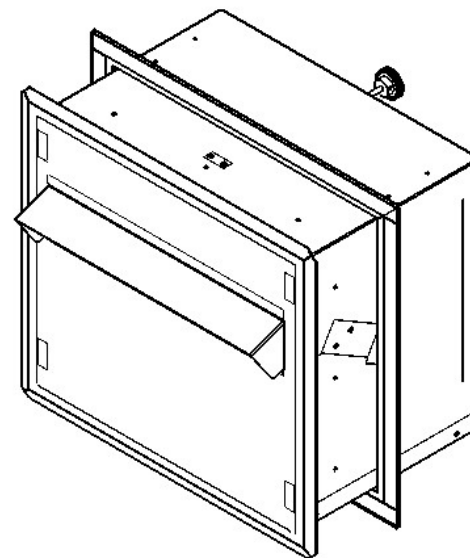



**SECTION A-A**



DO NOT SCALE DRAWING UNLESS OTHERWISE SPECIFIED:		MATERIAL <b>SEE PARTS</b>		 <b>KINGSLEY COMPANIES</b> TITLE: <b>EASE SINGLE DROP THRU WALL</b>				
DIMENSIONS ARE IN INCHES TOLERANCES: ANGULAR: MACH ±0.25° BEND ±1° LINEAR: .X ±.06 .XX ±.03 .XXX ±.010		FINISH <b>SEE PARTS</b>						
REVISED	J BOLING	DATE	2/25/18	PRT. NO.	10-8100-P	REV	C	SHEET SIZE <b>B</b>
CHECKED				DWG. NO.	10-8100-P	REV	C	
INTERPRET GEOMETRIC TOLERANCING PER: ASME Y14.5M-1994 <b>PROPRIETARY AND CONFIDENTIAL</b> THE INFORMATION CONTAINED IN THIS DRAWING IS THE SOLE PROPERTY OF KINGSLEY COMPANIES. ANY REPRODUCTION IN PART OR AS A WHOLE WITHOUT THE WRITTEN PERMISSION OF KINGSLEY COMPANIES IS PROHIBITED.				SCALE: 1:8		SHEET 1 OF 1		